

MICROP PANEL

CEILING/WALL

NOTES:

MICRO PERFORATIONS FOR SOUND ABSORPTION

CUSTOM SIZES AVAILABLE UPON REQUEST

ALL MATERIALS ARE CLASS "A" FIRE RATED

MANUFACTURER RECOMMENDED INSTALLATION INSTRUCTIONS AVAILABLE

PROPRIETARY AND CONFIDENTIAL

THE INFORMATION CONTAINED IN THIS DRAWING IS THE SOLE PROPERTY OF REALACOUSTIX LLC. ANY REPRODUCTION IN PART OR AS A WHOLE WITHOUT THE WRITTEN PERMISSION OF REALACOUSTIX LLC. IS PROHIBITED

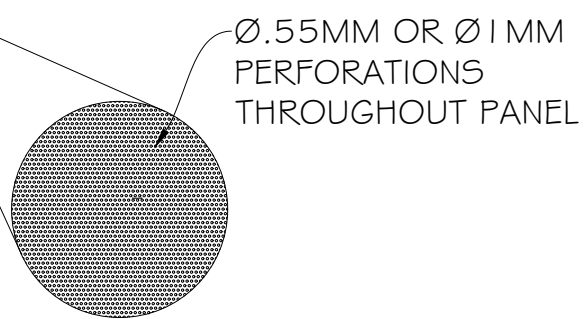
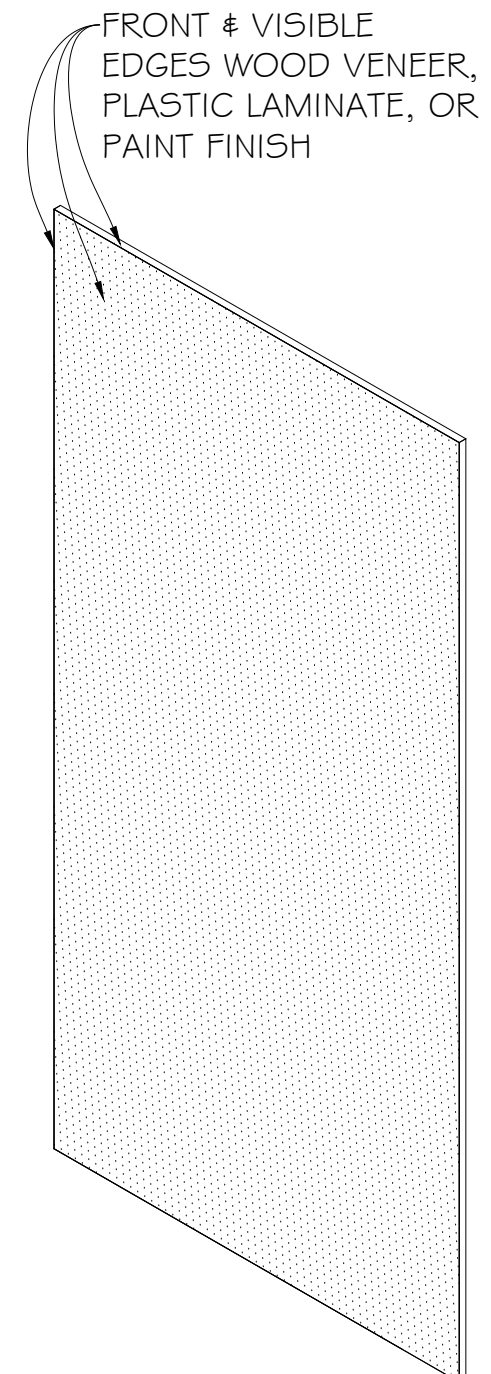
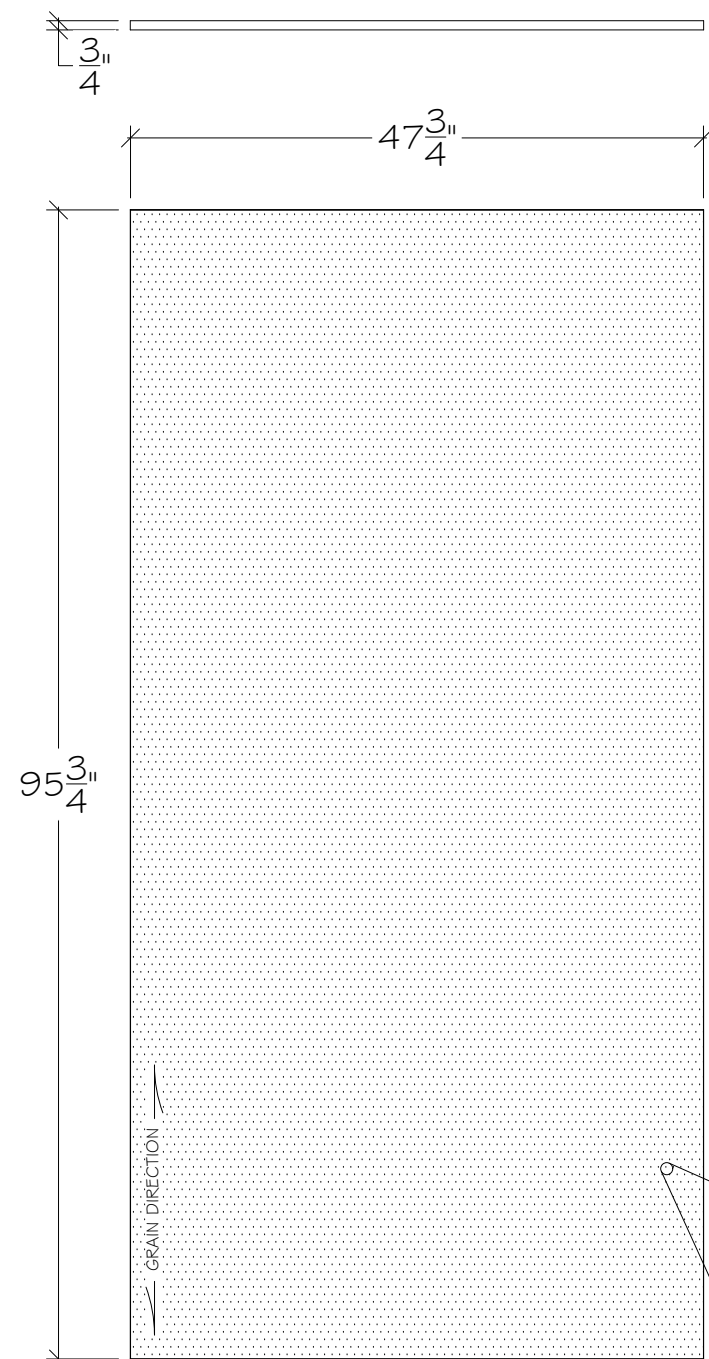
REALACOUSTIX LLC RESERVES THE RIGHT TO CHANGE OR MODIFY PRODUCTS ILLUSTRATED IN THE SHOP DRAWINGS AS NEEDED FOR ANY REASON DEEMS NECESSARY TO IMPROVE THE DESIGN OR MEET CERTAIN WEIGHT, MEASUREMENT, VISUAL, ARCHITECTURAL OR STRUCTURAL REQUIREMENTS.

DRAFTED BY: AB
CHECKED BY:

MODIFIED DATE:
9/29/22

REVISION NUMBER: 1

SD-A01



1 MICROP