

INSTALLATION

Z-CLIPS WALL

PLEASE NOTE THAT THESE INSTRUCTIONS ARE FOR GUIDANCE ONLY. REALACOUSTIX LLC, ITS OWNERS, EMPLOYEES AND STAFF SHALL ASSUME NO LIABILITY FOR THE COMPREHENSION OF THESE INSTRUCTIONS OR THE FOLLOWING THEREOF. NO LIABILITY ON THE PART OF REALACOUSTIX LLC SHALL BE ASSUMED FOR THE WORK INVOLVED IN INSTALLATION OF ITS PRODUCTS BY OTHERS. PLEASE NOTE THAT ALL SAFE PRACTICES AS SPECIFIED BY THE LOCAL BUILDING CODES, OSHA, AND OTHER STANDARD ORGANIZATIONS SHOULD BE FOLLOWED IN THE SELECTION OF MATERIALS AND/OR METHODS USED IN HANGING, MOUNTING, OR INSTALLING REALACOUSTIX LLC PRODUCTS.

PROPRIETARY AND CONFIDENTIAL

THE INFORMATION CONTAINED IN THIS DRAWING IS THE SOLE PROPERTY OF REALACOUSTIX LLC. ANY REPRODUCTION IN PART OR AS A WHOLE WITHOUT THE WRITTEN PERMISSION OF REALACOUSTIX LLC. IS PROHIBITED

REALACOUSTIX LLC RESERVES THE RIGHT TO CHANGE OR MODIFY PRODUCTS ILLUSTRATED IN THE SHOP DRAWINGS AS NEEDED FOR ANY REASON DEEMS NECESSARY TO IMPROVE THE DESIGN OR MEET CERTAIN WEIGHT, MEASUREMENT, VISUAL, ARCHITECTURAL OR STRUCTURAL REQUIREMENTS.

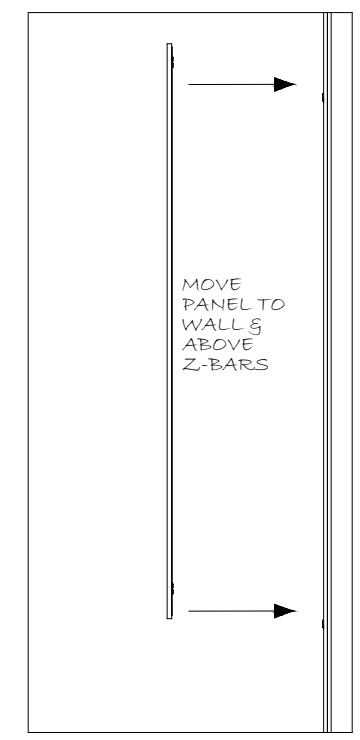
DRAFTED BY: AB
CHECKED BY:

MODIFIED DATE:
9/21/22

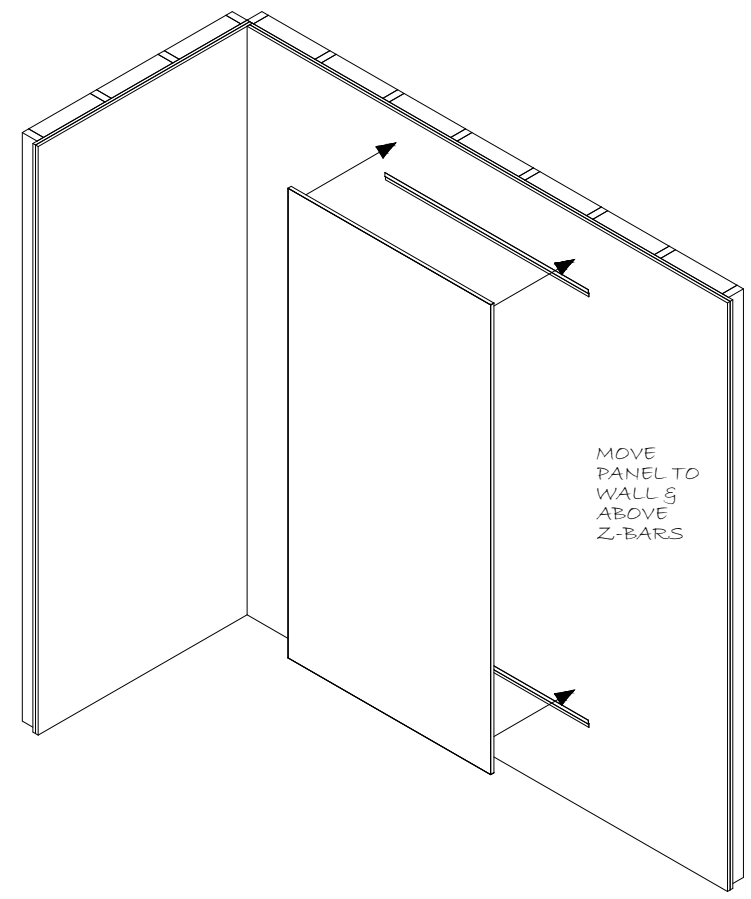
REVISION NUMBER: 1

SD-A02

STEP 2.

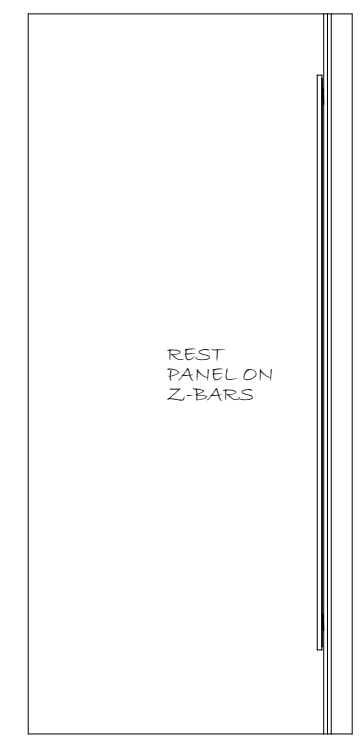


RIGHT VIEW

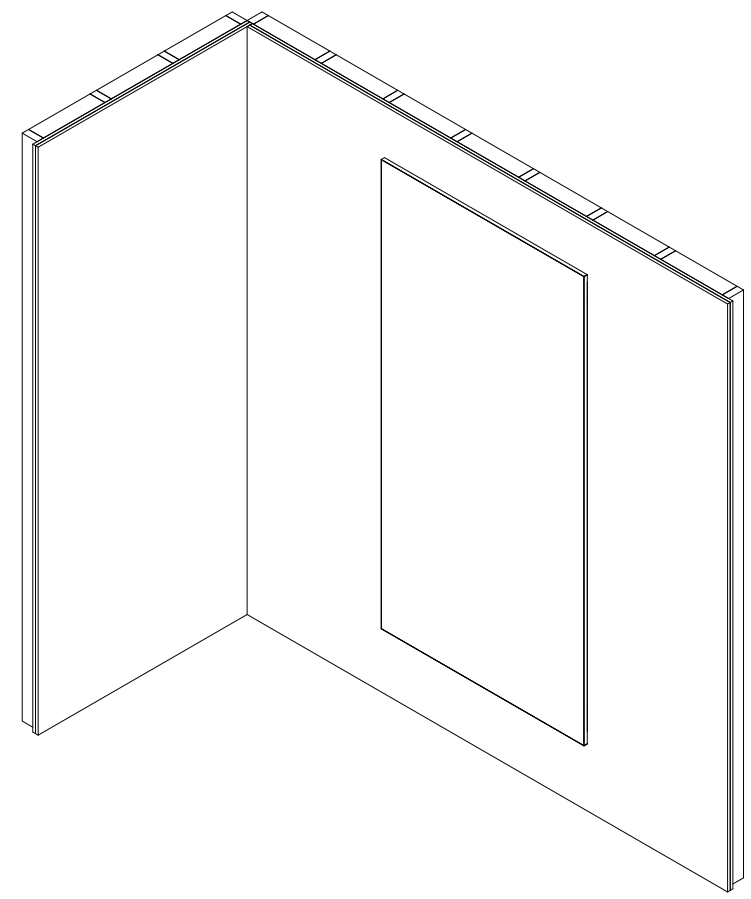


ISOMETRIC VIEW

STEP 4.



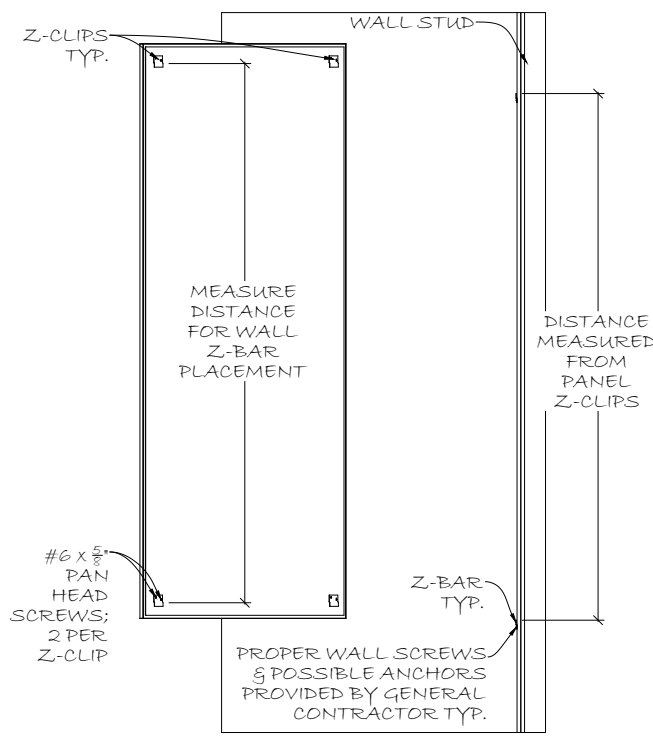
RIGHT VIEW



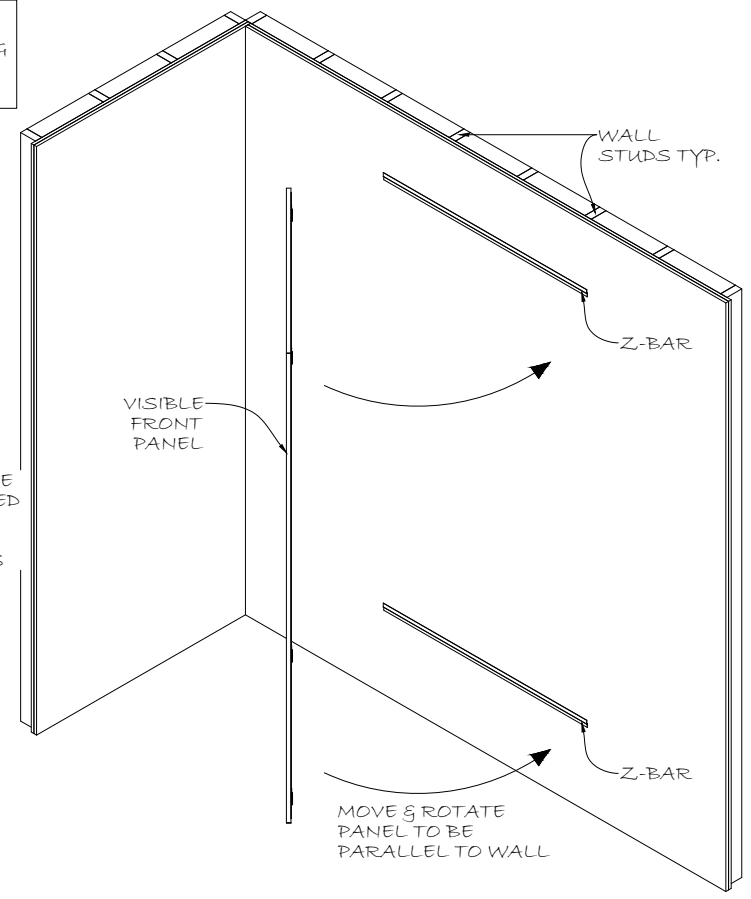
ISOMETRIC VIEW

STEP 1.

NOTE:
ALL CONSTRUCTION MUST BE COMPLETE BEFORE PRODUCT ARRIVES
PRODUCT MUST ACCLIMATE AT LEAST 48 HOURS BEFORE INSTALLING
AREA MUST BE CLEAN, DEBRIS-FREE, & DUST-FREE
READ WARRANTY NOTICE FOR MORE INFORMATION

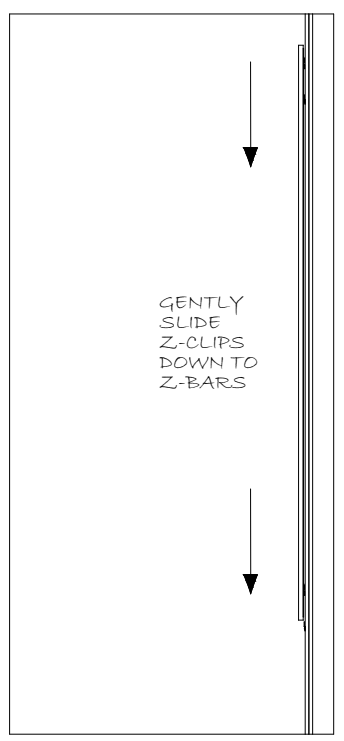


RIGHT VIEW

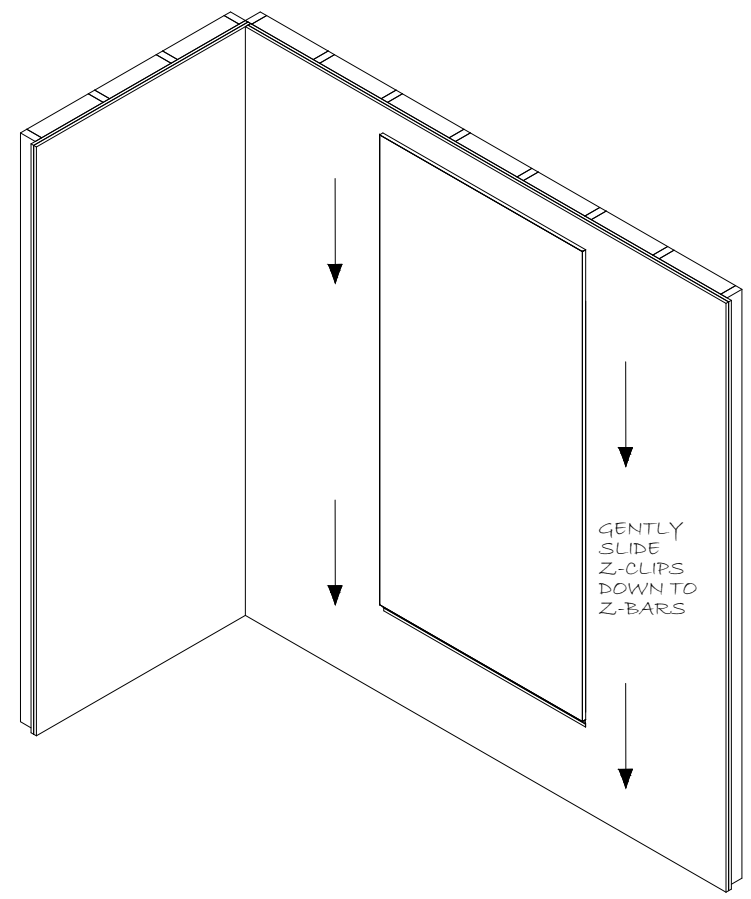


ISOMETRIC VIEW

STEP 3.



RIGHT VIEW



ISOMETRIC VIEW