

REALQUAD TF I

CEILING/WALL

NOTES:

THERMOFORMED DIFFUSER FOR SCATTERING SOUND

ALL MATERIALS ARE CLASS "A" FIRE RATED

MANUFACTURER RECOMMENDED INSTALLATION INSTRUCTIONS AVAILABLE

PROPRIETARY AND CONFIDENTIAL

THE INFORMATION CONTAINED IN THIS DRAWING IS THE SOLE PROPERTY OF REALACOUSTIX LLC. ANY REPRODUCTION IN PART OR AS A WHOLE WITHOUT THE WRITTEN PERMISSION OF REALACOUSTIX LLC. IS PROHIBITED

REALACOUSTIX LLC RESERVES THE RIGHT TO CHANGE OR MODIFY PRODUCTS ILLUSTRATED IN THE SHOP DRAWINGS AS NEEDED FOR ANY REASON DEEMS NECESSARY TO IMPROVE THE DESIGN OR MEET CERTAIN WEIGHT, MEASUREMENT, VISUAL, ARCHITECTURAL OR STRUCTURAL REQUIREMENTS.

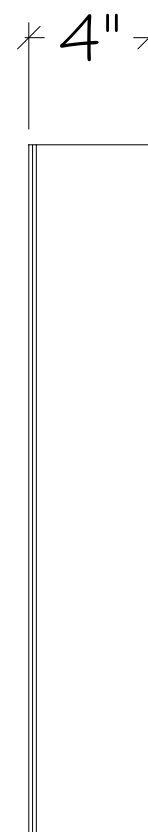
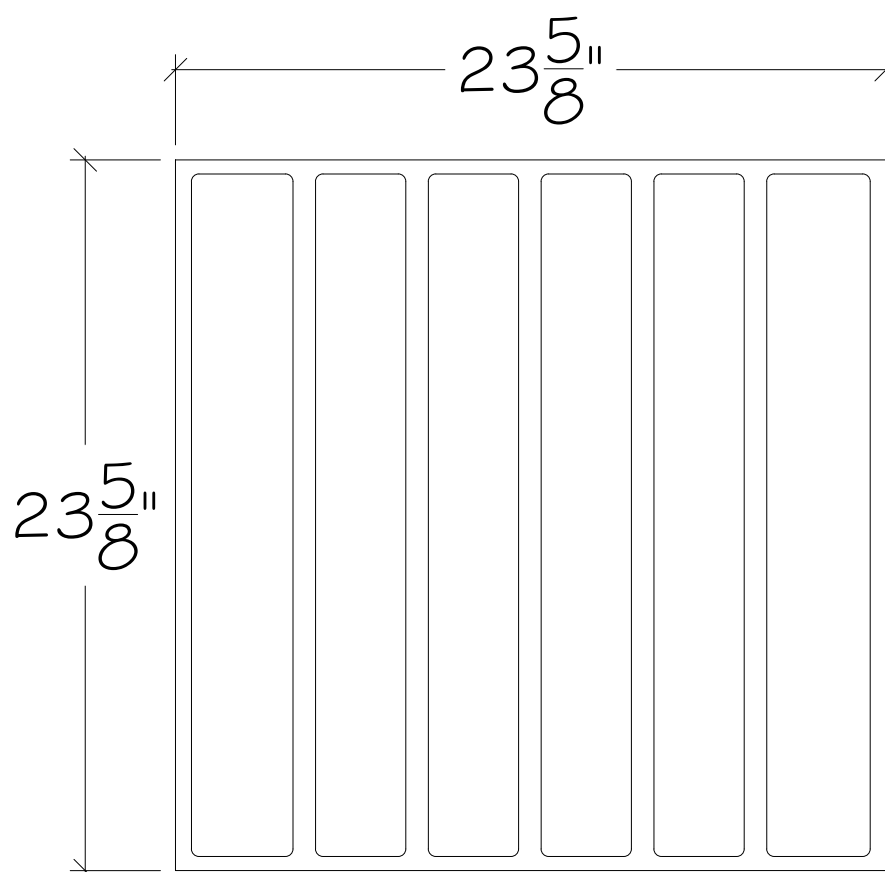
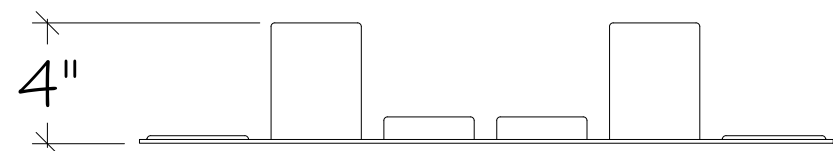
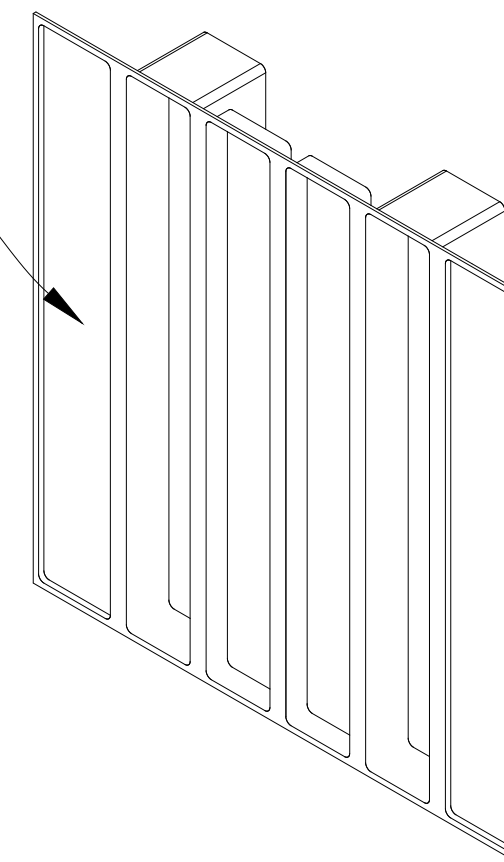
DRAFTED BY: AB
CHECKED BY:

MODIFIED DATE:
9/26/22

REVISION NUMBER: 1

SD-A01

THERMOFORMED CLASS "A" FIRE-RATED BOLTARON PLASTIC IN WHITE MATTE FINISH



1 REALQUAD TF I